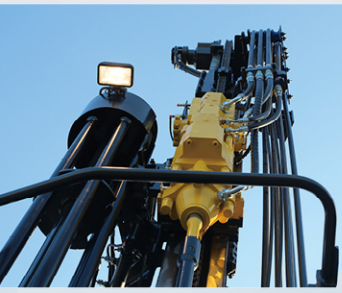


# Drill, the efficient way



**High Power Drilling**  
(Designed for Excellent Productivity)



**Simple Structure of Extension Boom**  
(Time-saving for Maintenance)



**Auto Rod Changer System**  
(Smart Control for Convenience)



**Ergonomic Touch & Integrated Console**  
(Advanced User Interface)



# It's smart solution



## SOOSAN GLOBAL NETWORK

**Head office / Hwaseong Factory**  
TEL +82-31-350-5273 FAX +82-31-350-5259 E-mail info2@soosan.co.kr

**SOOSAN China**  
**Soosan Machinery (Qingdao) Co., Ltd.**  
TEL +86-532-8796-6655 FAX +86-532-6868-2362 E-mail saomai@soosan.co.kr  
**Soosan Machinery & Equipment (Xiamen) Co., Ltd.**  
TEL +86-592-621-1230 FAX +86-592-621-3231 E-mail baeyes@soosan.co.kr

**SOOSAN Europe**  
TEL +31-181-64-7194 FAX +31-181-64-1038 E-mail jungsh@soosan.co.kr

[www.soosan.co.kr](http://www.soosan.co.kr)  
Copyright Soosan. Soosan reserves the right to alter specifications without prior notice

**SOOSAN Dubai**  
TEL +971-4-881-0502 FAX +971-4-881-0503 E-mail jsg@soosan.co.kr

**SOOSAN USA Inc.**  
TEL +847 744 5982 FAX +847 890 6728 E-mail info@soosanmachinery.com  
<http://www.soosanmachinery.com/>

Distributed by



# TOP-HAMMER DRILL RIGS

**STD Series**



Printed in Korea  
English Ver. 2017. 2

# Drill, the new way!

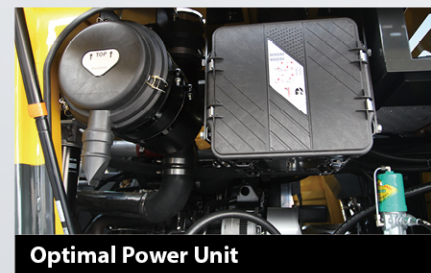


**Robust**

**Powerful**

**Operator Comfort**

**Dynamic Design**



**Optimal Power Unit**

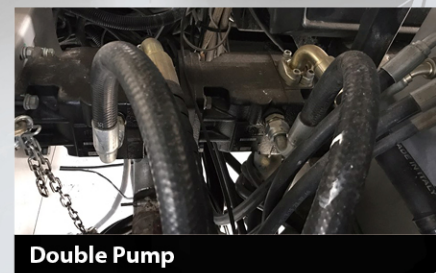
Air compressor and pump are mounted directly to the engine, enabling efficient power transmission with low energy loss.

- Load sensing controlled axial piston pump
- Large capacity air compressor



**Extendable Boom**

Simple and robust sliding boom comprising of cylinder and exterior slide pad for easy maintenance.



**Double Pump**

Double pump enables the work performance with the sufficient flux to be improved.



**Operation Stability**

Durable structure along with the strong chassis frame, long tumbler length, wide track width and high ground clearance enables outstanding stability on rough terrain.



**Integrated Monitoring System**

Monitoring system in the cabin offers the state of the engine rpm, water temperature, data from power view display. Besides, operator can see the manual and partbook in this system and check the state of equipment and take appropriate action.



**Dust Collector**

Powerful dust collector with 4 filters effectively prevents dust from escaping. This system also allows easy changing of the filter cartridges.

## Options

Water-misting system

Cold weather starting package (-32 ~ -54)

Dual rod clamping

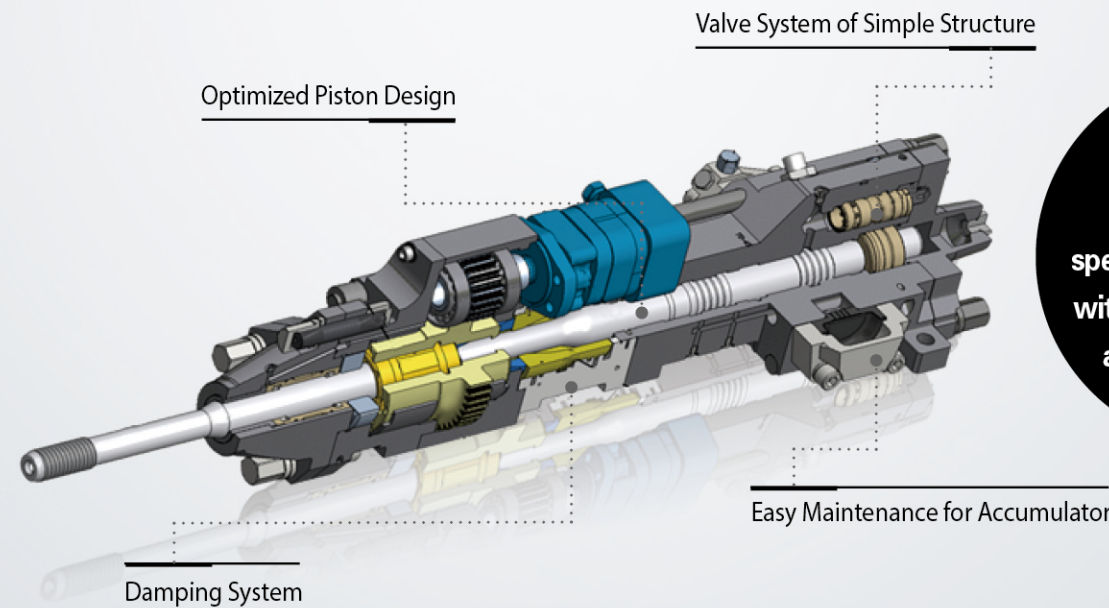
Digital angle indicator

Rear view monitor & camera

Pre-separator

Automatic drifter lubrication

## More power and easier maintenance New TD premium series



Optimized Piston Design

Valve System of Simple Structure

Easy Maintenance for Accumulator

Damping System

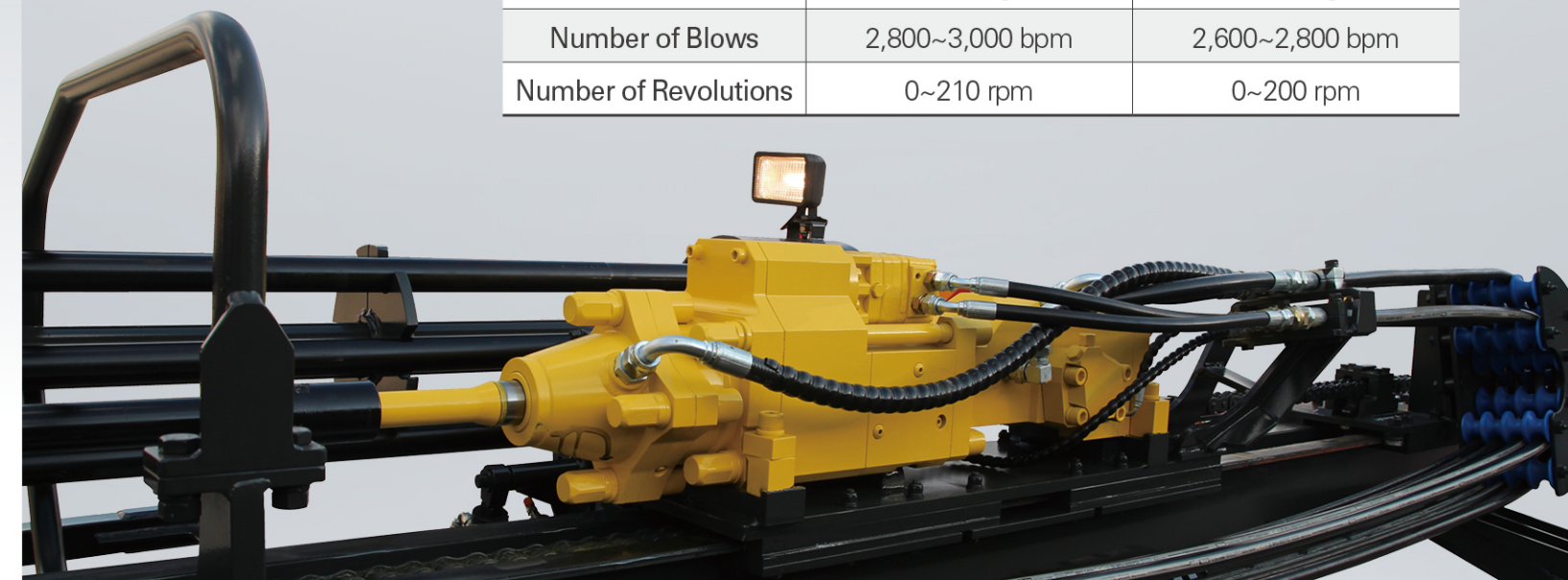
- Damping system increases the drilling efficiency and durability by using a damping piston which reduces rod bounces during hammering.
- There is no need to add cost to the basic installation.

New TD premium series rock drills speedily perform drilling with high impact power and rotation speed.

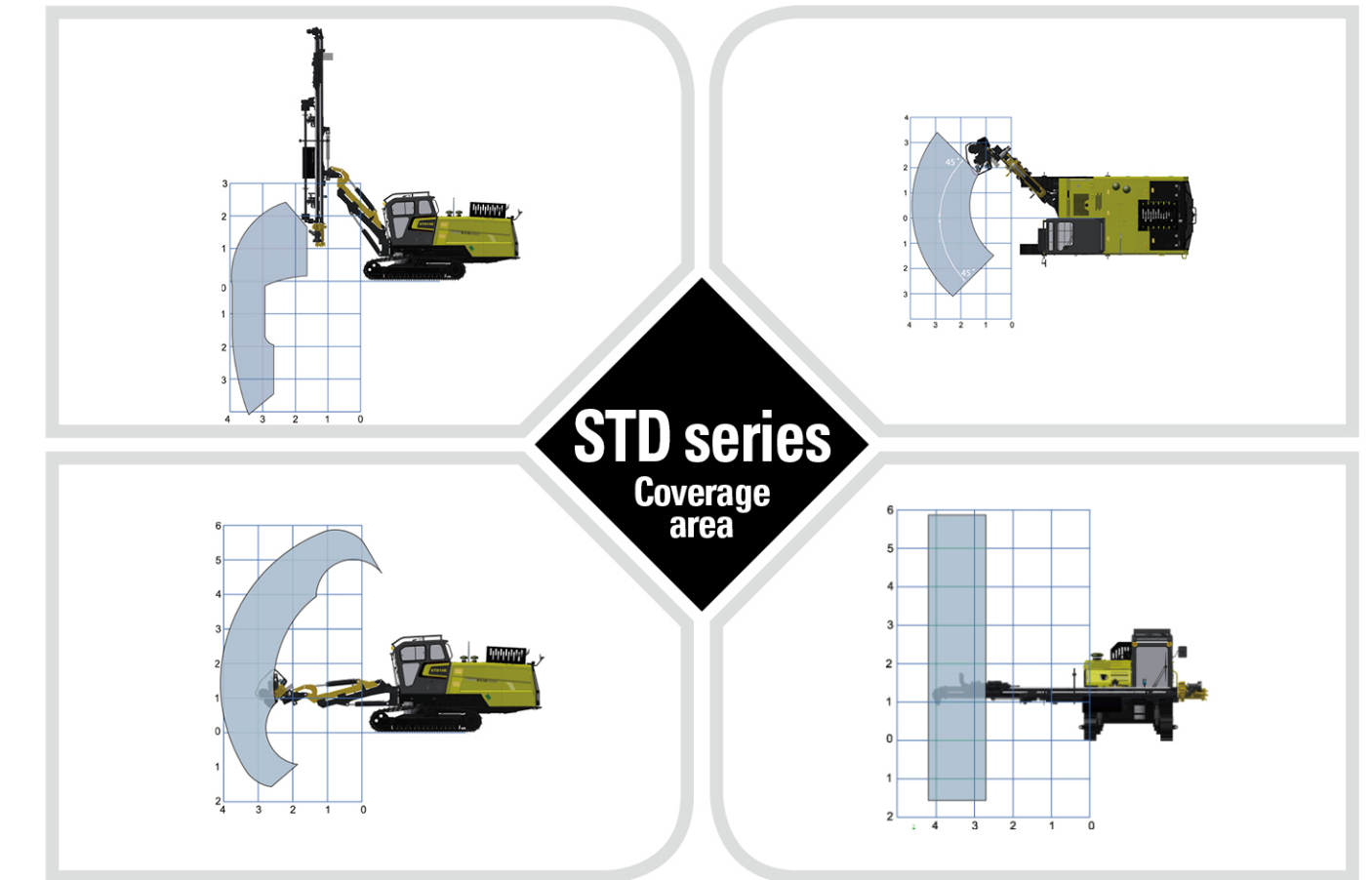
## High productivity and enhanced durability are the most valuable features of SOOSAN TD rock drills.

### Technical Specification

Model	TD 45P	TD 51P
Mass	443 lb (201 kg)	672 lb (305 kg)
Impact Power	20 Hp (15 kW)	27 Hp (20 kW)
Operating Pressure	1,991~2,844 psi (140~200 kg/cm <sup>2</sup> )	1,991~2,560 psi (140~180 kg/cm <sup>2</sup> )
Number of Blows	2,800~3,000 bpm	2,600~2,800 bpm
Number of Revolutions	0~210 rpm	0~200 rpm



## Wide & Extensive working range



**STD series  
Coverage area**

Description	Unit	STD140E	STD143E
Engine : Output	Hp(kW)	220Hp (164kW)	225Hp (168kW)
	-	Cummins QSB6.7 Tier3	Cummins QSB6.7 Tier4
Hole Range	in		3.0~4.5
	mm		76~115
Drill Steel : Thread Type	-		T45, T51
Drill Steel : Number of Steels	ea		6+1
Drill Steel Length	ft		12
	mm		3,660
Boom	-	Sliding Type Extendable Boom	
	Up/Down	60° / 40°	
	Left/Right	45° / 45°	
Oil Capacity - Fuel Tank	gal	111	
	L	420	
Oil Capacity - Hydraulic Tank	gal	63	
	L	240	
Compressor	CFM	317@10.5bar	
	m <sup>3</sup> /min	8.2@10.5bar	
Dust Collector	CFM	812	
	m <sup>3</sup> /min	23	
Safety Cabin	-	ROPS&FOPS Certified	
Control	-	Joystick	
Weight	lbs	31,967	
	kg	14,500	
Width	ft	7.8	
	mm	2,400	
Height	ft	10.3	
	mm	3,150	
Length	ft	30.8	
	mm	9,415	

\*The above specifications can be changed without prior notice